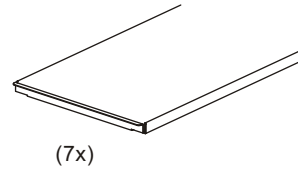
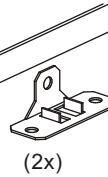
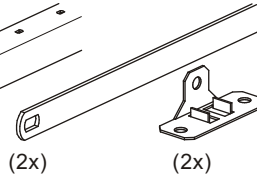
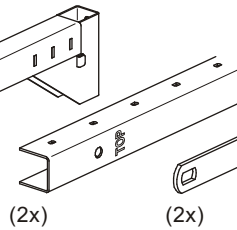
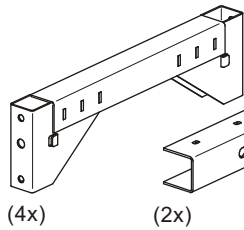


(11x) M8x14

(11x) M8

(11x)

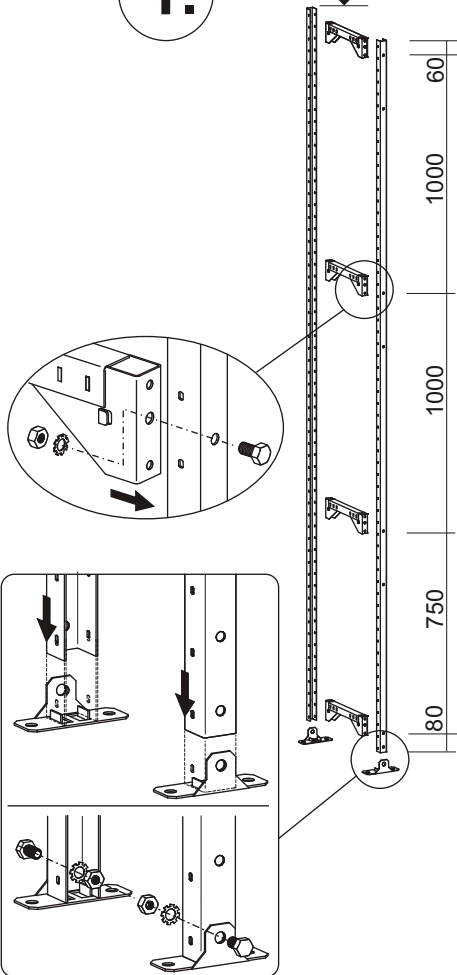
(28x)



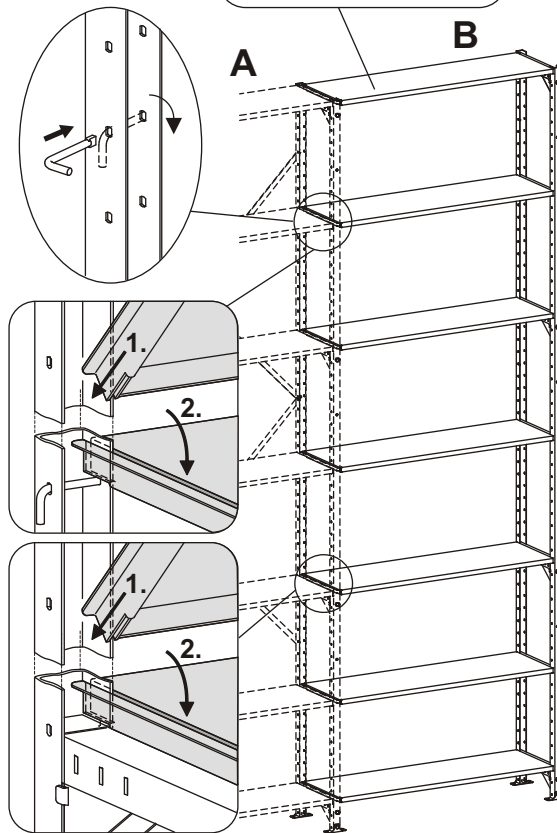
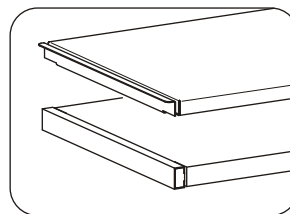
Budget Anbau 3000

1.

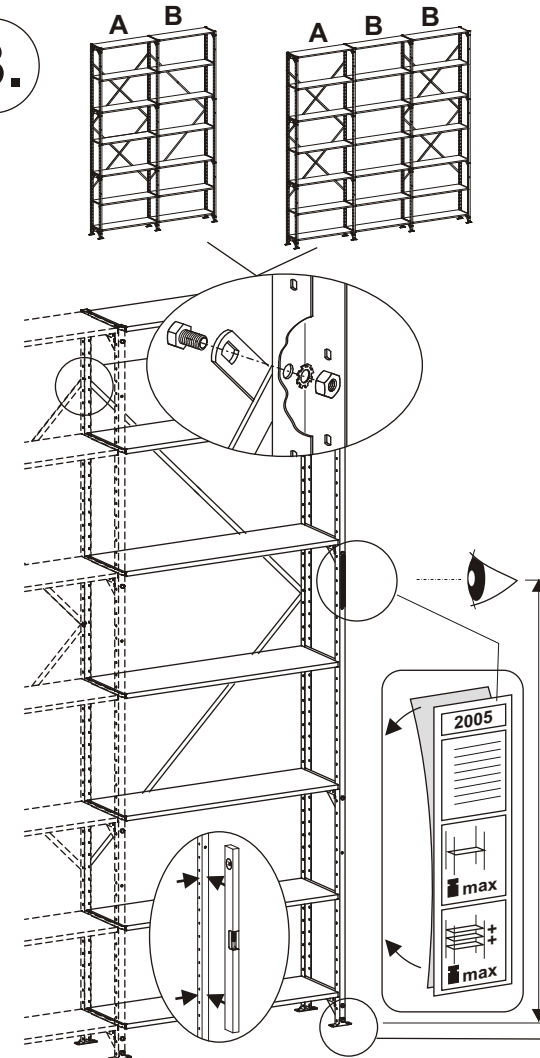
3000



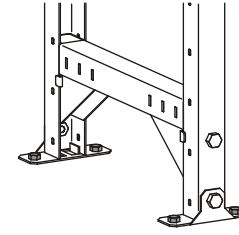
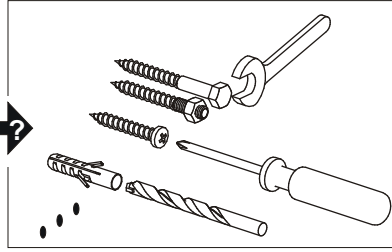
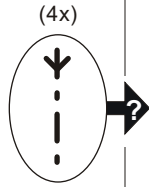
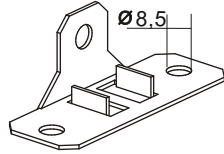
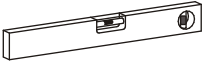
2.



3.

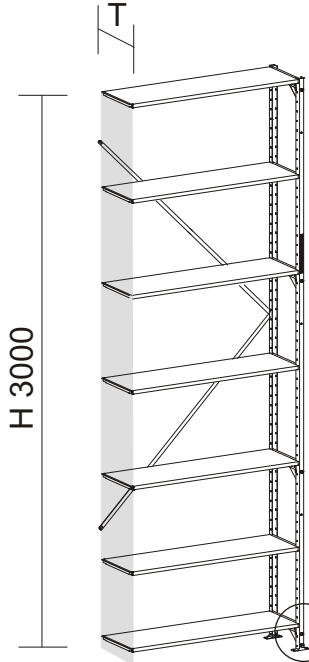


4.



Budget Anbau 3000

4.



$H:T \geq 5:1$

$T =$
300
400
500
600

$H:T < 5:1$

$T =$
700
800
1000