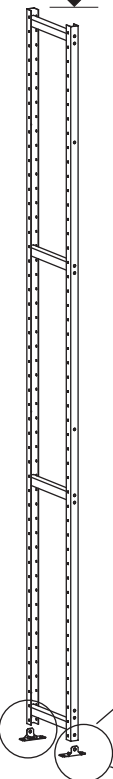


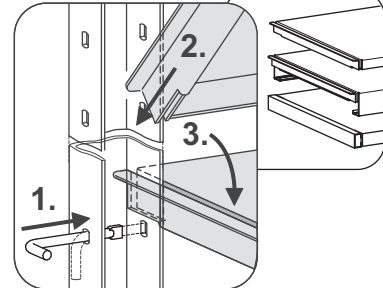
Planoflex Verbinder Anbau 2500

1.

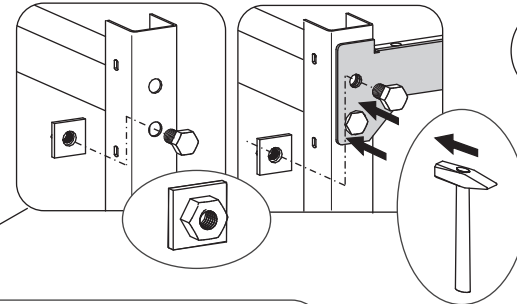
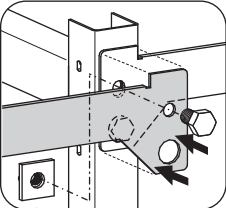
2500



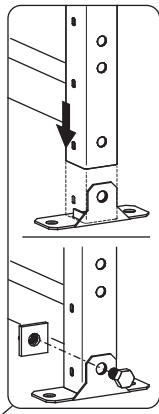
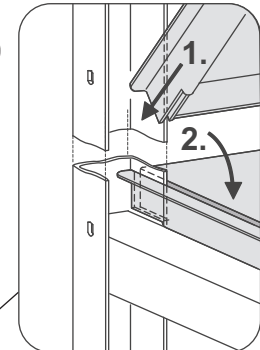
2.



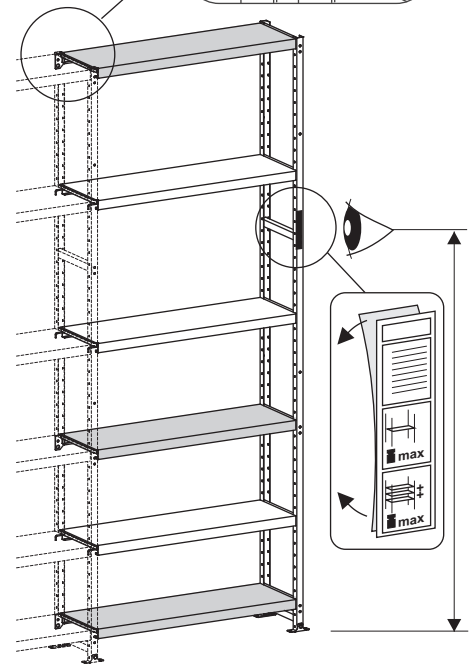
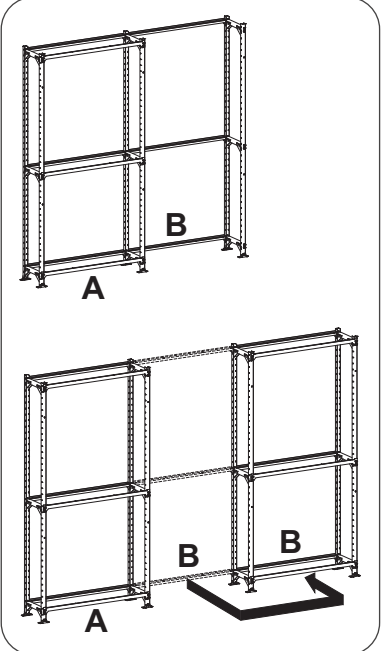
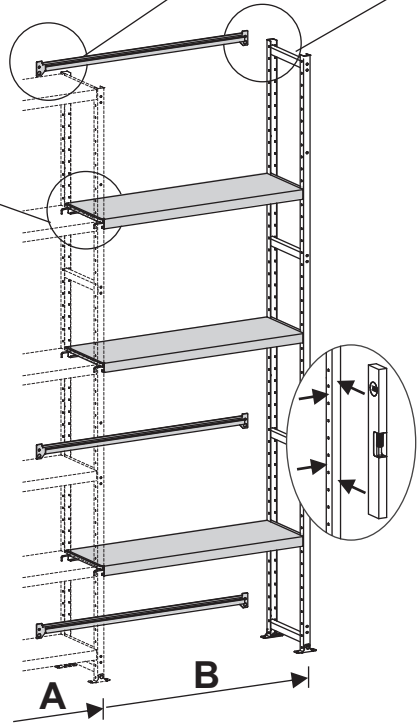
3.

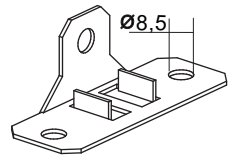
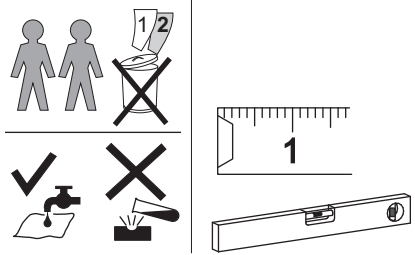


4.

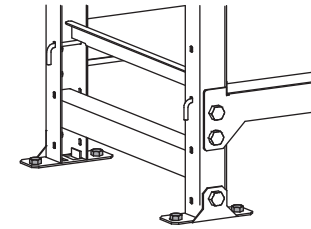
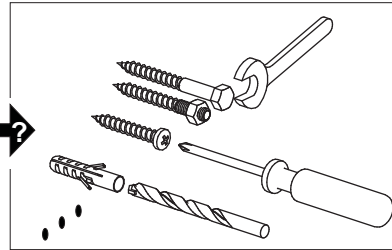


5. →



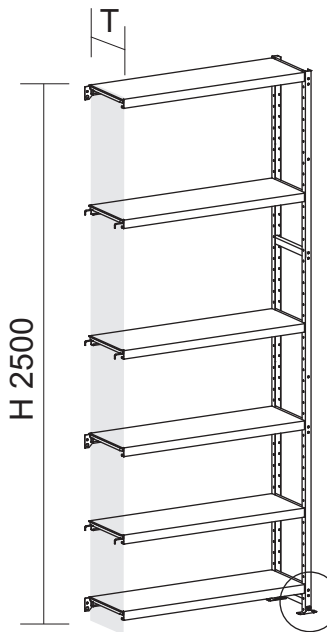


(4x)  
↓  
|  
|  
|



Planoflex Verbinder Anbau 2500

5.



$H:T \geq 5:1$

$T =$   
300  
400  
500

$H:T < 5:1$

$T =$   
600  
700  
800  
1000